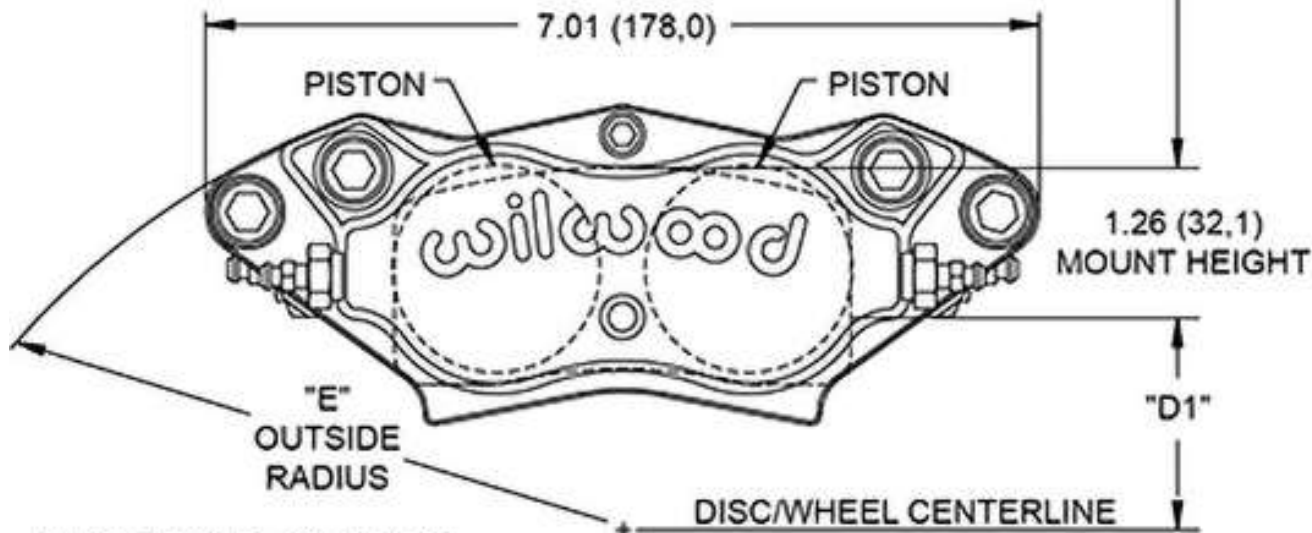


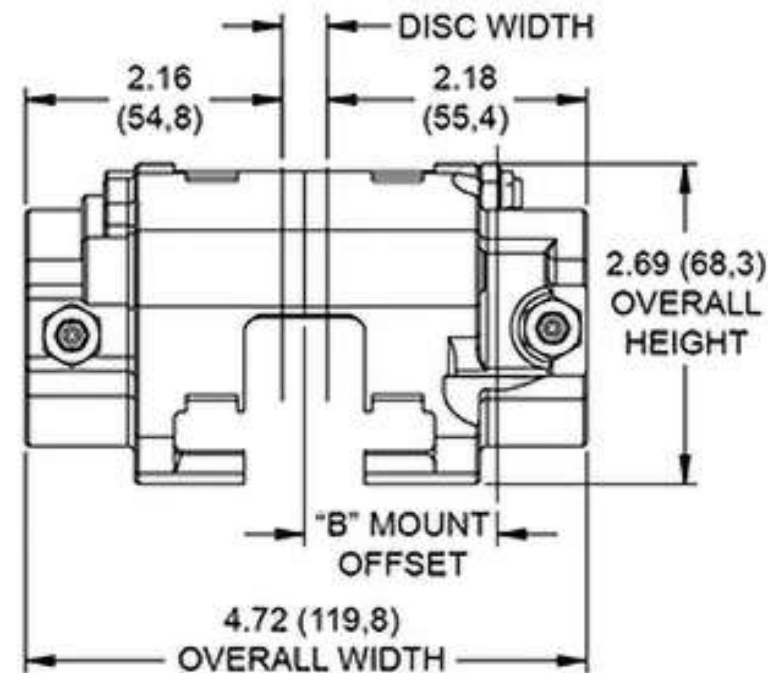
DISC WIDTH	"B" MOUNT OFFSET
.38 (9,6)	1.40 (35,6)
.81 (20,6)	1.62 (41,1)
1.00 (25,4)	1.72 (43,7)
1.25 (31,8)	1.84 (46,7)

DISC DIAMETER	"E" OUTSIDE RADIUS
10.50 (266,7)	6.20 (157,5)
11.75 (298,5)	6.73 (170,9)
12.19 (309,5)	6.93 (176,0)
12.72 (323,1)	7.18 (182,4)

DIMENSION "D1" = (DISC DIAMETER/2) - 1.26 (32,1)



TOP OF FRICTION MATERIAL AND DISC O.D. TO BE FLUSH



INLET FITTING: 1/8-27 NPT
 RADIAL MOUNT BRACKETS ARE AVAILABLE